




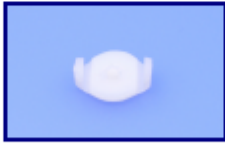

Spare Parts

for

Sahm Winders






Tape Winder Parts



<p>TW18 Part No. 100154 Follower For use in Sahm 100, 100E, 100FI</p>		<p>Similar to 10.23-1018</p>
<p>TW48 Part No. 100155 Follower For use in Sahm 230E; 230GE, 260E</p>		<p>Similar to 26.23-0048</p>
<p>TW75 Part No. 100156 Roll For use in Sahm 100, 100E, 100FI, 230E, 230GE, 240E, 260E, 300E, 320, 350</p>		<p>Similar to 25.23-0075</p>
<p>TW41 Part No. 100157 Slider For use in Sahm 230E, 230GE, 260E, 300E</p>		<p>Similar to 26.01-0041</p>
<p>TW35 Part No. 100158 Yarn guide garrige For use in Sahm 230E, 230GE, 260E</p>		<p>Similar to 26.01-0035</p>

<p>TW02 Part No. 100160 Yarn guide carriage For use in Sahm 100, 100E, 100FI</p>		<p>Similar to 10.01-1002 10.01-1017</p>
<p>TW03 Part No. 100159 Yarn guide carriage For use in Sahm 300</p>		<p>Similar to 30.01-003</p>
<p>TW2840 Part No. 100161 Yarn guide carriage For use in Sahm 280</p>		<p>Similar to 28.23-0040</p>
<p>TW40 Part No. 100162 Small tape roller For use in Sahm 100, 100E, 100FI</p>		<p>Similar to 10.35-1040 Plasma Coated</p>
<p>TW53 Part No. 100163 Small tape roller For use in Sahm 100, 100E, 100FI, 230E, 230GE, 240E, 260E, 300E, 320, 350</p>		<p>Plasma Coated</p>
<p>TW54 Part No. 100164 Large tape roller For use in Sahm 230E, 230GE, 240E, 260E, 300E, 320, 350</p>		<p>Similar to 23.35-0454.1 Plasma Coated</p>
<p>TW55 Part No. 100165 Large tape roller double For use in Sahm 230E, 230GE, 240E, 260E, 300E, 320, 350</p>		<p>Similar to 23.35-0XXX Plasma Coated For Double Tape</p>

<p>Part TW22 Disk For use in Sahm 100, 100E, 100FI, 230E, 230GE</p>		<p>Similar to 23.01-0022.X</p>
<p>Part TWS010 Switch on/off For use in Sahm 240E, 260 E</p>		<p>Similar to 88442-010 On/Off 250VAC 10A</p>
<p>Part TWDA05 Dancerarm For use in Sahm 260E 300mm stroke All others on request</p>		<p>Similar to 26.42-005</p>
<p>Part TW23 Small tension spring For use in Sahm 100, 100E, 100FI, 230E, 230GE</p>		<p>Similar to 10.50-0023</p>
<p>Part BS22 Barrel spring For use in Sahm 100; 100E, 100FI</p>		<p>Similar to 99.08-022</p>
<p>Part TG1XX (7MM) Part TG2XX (10MM) Shoe tread guide Single thread For use in Sahm 230, 230GE, 260E</p>		<p>Available Width 0.8, 1.0, 1.5, 2.0, 2.5, 3.0, 3.5 and 4.0mm Ceramic 7mm O.D.</p> <p>0.8, 1.0, 1.5, 2.0, 2.5, 3.0, 3.5, 4.0, 4.5, 5.0 and 6.0mm Ceramic 10mm O.D. Others on request</p> <p>Order Information: XX - width e.g. 1.5mm Order Code TG115</p>

<p>Part TG28 Tread guide For use in Sahm 100, 100E, 100FI</p>	 <p>Picture Not Available</p>	<p>Similar to 10.23-1028/1</p>
<p>Part TG38 Tread guide For use in Sahm 230E, 230GE, 260</p>		<p>Similar to 26.23-038/999 Plasma Coated</p>
<p>TG95 Part No. 100166 Tread guide For use in Sahm 230E, 230 GE, 260</p>		<p>Similar to 26.23-095/999 Plasma Coated</p>
<p>Part ME04 Multiple eyelet For use in Sahm 230E, 230GE, 260E, 100E</p>		<p>Replace 25.35-0306 Also available for 5 and 6 ends</p>
<p>Part travers CAM</p> <p>For use in 230E GE, 260E, 290, 300E, 100E</p> <p>All Models are on the same or even better quality level then the origin part</p>		<p>Available Similar models: 26.23-203 26.23-253 26.23-268 26.23-309 10.23-1004 29.23-0255 Others on request</p>

**PART WPS I
WEAR PART SET I**

For use in
Sahm 230E, 230GE, 260E



Consisting of
Follower TW48 and
Roll TW75

**PART WPS II
WEAR PART SET II**

For use in
Sahm 230E, 230GE, 260E



Consisting of
Follower TW18 and
Roll TW75

**PART WPS III
WEAR PART SET III**

For use in
Sahm 230E, 230GE, 260E



Consisting of
Yarn guide carriage
TW35 and
Sledge TW41

**PART WPS IV
WEAR PART SET IV**

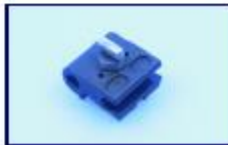
For use in
Sahm 230E, 230GE, 260E



Consisting of
Yarn guide carriage TW35,
Follower TW48,
Roll TW75 and
Sledge TW41

**PART WPS V
WEAR PART SET V**

For use in
Sahm 100, 100E, 100FI




Consisting of
Yarn guide carriage TW02,
Follower TW18 and
Roll TW75

Timing Pulleys

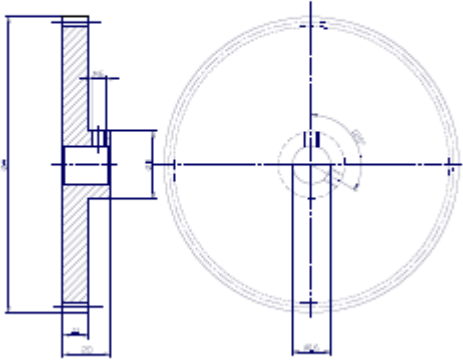
**PART TPXL-XXX
TIMING PULLEY**

For use in
Sahm 230E, 230GE, 260E



1/5" Pitch Type XL
Without flanged wheel


Similar to 21.15-0020.XXX



No. Of Teeth "Z"	OD Diameter "A"	Spigot "B"
20	31,83	
22	35,07	
29	46,39	
30	48,00	
31	49,62	
33	52,85	
36	57,70	
42	67,41	
54	86,81	
58	93,28	28

**PART TPXLFW-XXX
TIMING PULLEY**

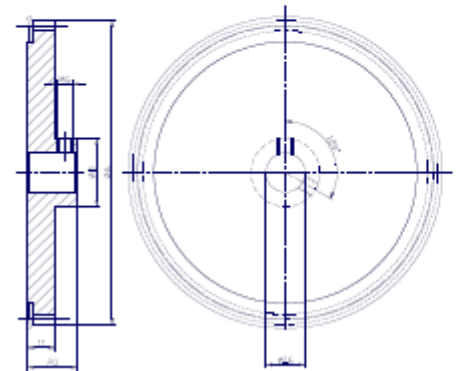
For use in
Sahm 100, 230E, 230GE,
260E



1/5" Pitch Type XL
With flanged wheel

Similar to 21.15-0024.XXX

Available standard Pulleys



No. Of Teeth "Z"	OD Diameter "A"	Spigot "B"
20	31,83	
22	35,07	
29	46,39	
30	48,00	
31	49,62	
33	52,85	
36	57,70	
47	75,49	28

**PART TBXL-XXX
 TIMING BELT**

For use in
 Sahn 100, 230E, 230GE,
 260E



1/5" Pitch Type XL
 7,94mm wide

Similar to 98.05-265.XXX

Available standard belts
 TBXL-95, -100, -105, -110, -115, -120, -125, -138

**PART TP3MFW-XXX
 TIMING PULLEY**

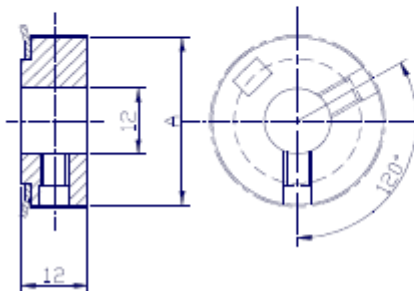
For use in
 Sahn 100, 100E, 100FI



3mm Pitch Type HTD
 With flanged wheel

Similar to 10.27-1001.XXX

Available standard Pulleys



No. Of Teeth "Z"	OD Diameter "A"
31	28,84
33	30,75
40	37,44
58	54,63

**PART TB3M-XXX
 TIMING BELT**

For use in
 Sahn 100, 100E, 100FI







3mm Pitch Type HTD
 9mm wide

Similar to 98.05-288.XXX

Available standard belts
 TB3M-065, -077, -097, -102, -140

Traverse Guides

<p>PART W073</p> <p>For use in Sahm 3002R, 3200</p>		<p>Similar to 76.23-0073</p>
<p>PART W076</p> <p>For use in Sahm 3002R, 3200</p>		<p>Similar to 76.23-0076</p>
<p>PART W144</p> <p>For use in Sahm 2002R, 2003, 3002, 3003, 4003</p>		<p>Similar to 76.23-0144</p>
<p>PART W148</p> <p>For use in Sahm 2002R, 2003, 3002, 3003, 4003</p>		<p>Similar to 76.23-0148</p>
<p>PART W177 AND W177-B</p> <p>For use in Sahm 2002R, 2003, 3002, 3003, 4003</p>		<p>Similar to 76.23-0177 Hole Diameter 1.5mm And -B Diameter 2.5mm available</p>

PART W187 A For use in Sahm 2002R, 2003, 3002, 3003, 4003		Similar to 76.23-0187
---	---	-----------------------

PART W187 B For use in Sahm 2002R, 2003, 3002, 3003, 4003		Similar to 76.23-0187
---	---	-----------------------

PART W050 For use in Bamag SW and ASW		Up to 800den Low friction ceramic For high speed application
--	---	--

PART W051 For use in Bamag SW and ASW		More than 800den Low friction ceramic For high speed application
--	--	--

PART W052 For use in Bamag SW and ASW		Up to 800den For medium speed application
--	---	---

PART W053 For use in Bamag SW and ASW		Up to 1500den For medium speed application
--	---	--

PART W054 For use in Bamag SW and ASW		More than 1500den For medium speed application
--	---	--

PART W034 For use in Sahm 2002R, 3002R		Similar to 80438-0034
---	---	-----------------------

PART W040 For use in All winder types		Similar to 80438-0040
--	---	-----------------------

PART W041 For use in Bamag ASW Winders		Proximity Switch 4 x 30mm Operating Distance 1mm Supply 10 to 30 VDC Cable length 1.5m
---	--	--

PART W060 For use in Bamag ASW Winders		Proximity Switch M12 x 1 Operating Distance 2mm Supply 8 to 30 VDC IP67
---	---	---

3.3 SPEED SENSOR

PART W039 For use in All winder types		Similar to 80438-0039
--	---	-----------------------

PART W061 For use in Bamag ASW Winders		Speed Sensor Frequency 5Hz to 25KHz Supply 8 to 35 VDC IP68 Stainless steel
---	---	---

<p>PART SC072</p> <p>For use in All winder types</p>		<p>Similar to 80181-0072</p> <p>M12 3pole male M8 3pole female 1,5m length</p>
<p>PART SC074</p> <p>For use in All winder types</p>		<p>Similar to 80181-0074</p> <p>M12 3pole male M8 3pole female 0,3m length</p>
<p>PART SC077</p> <p>For use in All winder types</p>		<p>Similar to 80181-0077</p> <p>M12 3pole male M12 3pole female 1,0m length</p>
<p>PART SC078</p> <p>For use in All winder types</p>		<p>Similar to 80181-0078</p> <p>M12 3pole male M8 3pole female 1,5m length</p>
<p>PART SC100</p> <p>For use in All winder types and MFL</p>		<p>Line M12 5pole female</p> <p>A M12 5pole male B M12 5pole female</p>